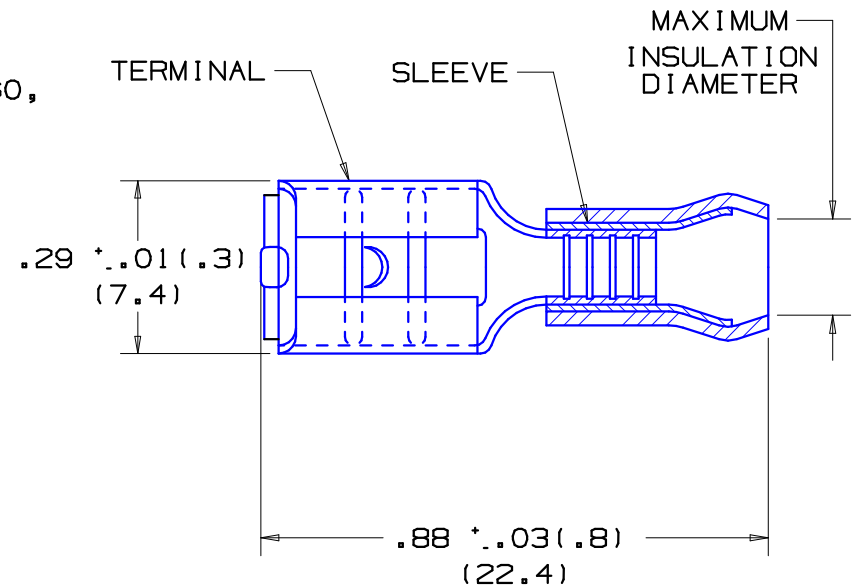
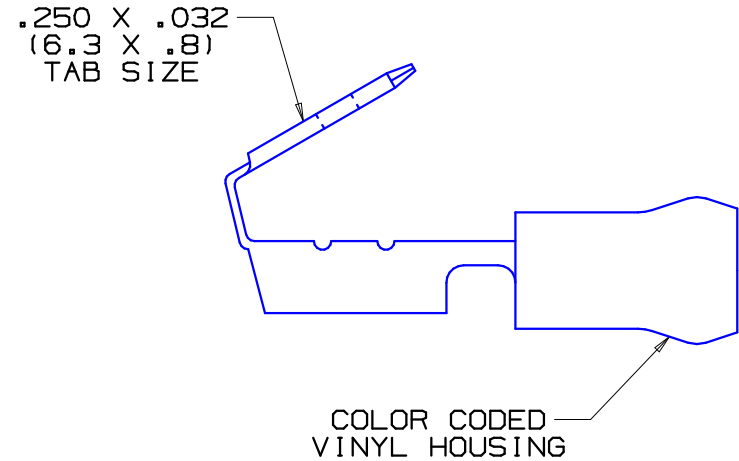


PANDUIT PART NO.	PK	HOUSING COLOR	WIRE RANGE	MAX INSUL DIAMETER
DV18-250P	-CY -MY	RED	#22-18	.13 (3.3)
DV14-250P	-C -M	BLUE	#16-14	.16 (4.1)

NOTES:

- 300 V. MAX. VOLTAGE RATING
- 194° F (90° C) MAX. TEMP. RATING
- FOR STRANDED COPPER WIRE ONLY-  
WIRE STRIP LENGTH  $1/4''^{+1/32}_{-0}$  (6.3<sup>+0.8</sup><sub>-0</sub>)
- PACKAGE QTY: STD. PKG. -C=100  
BULK PKG. -M, -MY=1000
- RECOMMENDED INSTALLATION TOOLS: CT-100, CT-160, CT-250, CT-500, CT-550
- DIMENSIONS IN BRACKETS ARE IN MILLIMETERS



A41208\_05

05	7/06	DAW	DAW	ADDED -CY, -MY PACKAGE QTY. FOR DV18-250P	TR00145			<p>TINLEY PARK, ILLINOIS</p> <p>.250 VINYL INSUL. PIGGYBACK DISCONNECT FOR #22-18 AND #16-14 AWG WIRE SIZES</p>			
04	1/01	KMDSKB		CAD FILE SPEC. WAS N41208AA_PCD_03	8938	JAC	CCH				
03	10/94	MS		UPDATED NOTES AND DIMENSIONS	02551						
02	7-88	DW	MG	REDRAWN WITH REVISIONS		JRB	MAG				
REV	DATE	BY	CHK	DESCRIPTION	ECN #	CUST	PM		DRAWN BY DAW	CHK'D	SCALE NONE